

**WIRELESS DIMMER WALL MODULE**

CH-WZB-DI2-100

v1.0.0

**Product specification:**

Built-in dimmer wall switch module with 2 dimmable outputs	
Protocol	ZigBee 3.0
2 switch inputs	
2 dimmable outputs	



Technical parameters	Value			Unit
	Min	Default	Max	
Rated voltage	90	220	250	V
Current/channel	0	5	10	A
ZigBee link quality	40	180	255	LQI
Electrical lifetime	80000			button press
Mechanical lifetime	70000			button press
Range	50		150	m

Wiring allocation	Function
N	Zero
S2	Wall switch input (1st channel)
S1	Wall switch input (2nd channel)
L2	Switchable output (2nd channel)
L1	Switchable output (1st channel)
L	Phase

Environmental characteristics	
IP protection	IP20
Working temperature	-10°C - +45°C

Logistics data	
Weight	48 g
Size	18x47x52 mm



CE certificate number:  
POCE201225025QCW

Download the Chameleon mobile app!

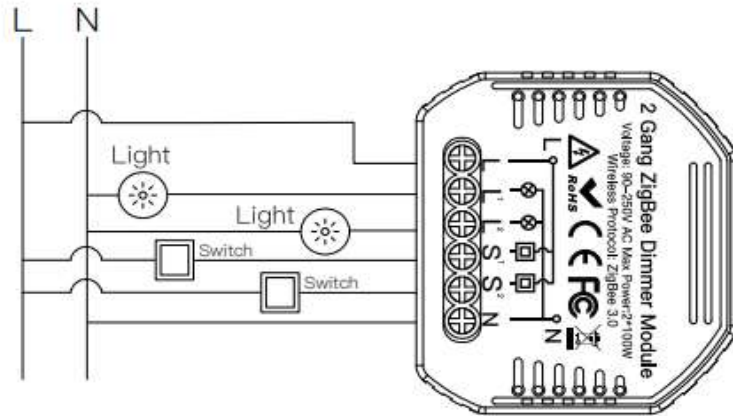


Product available at:

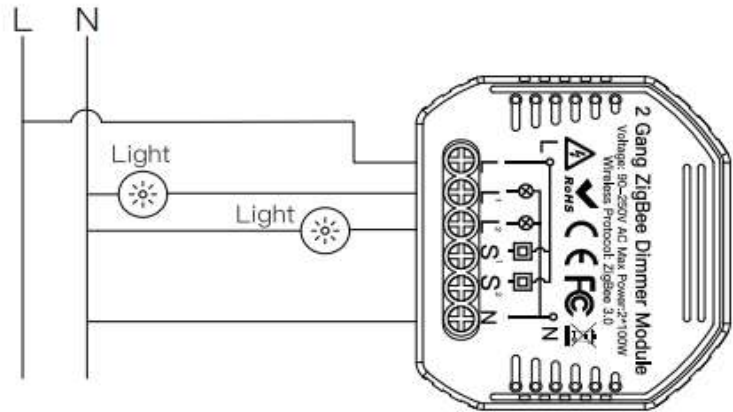


Wiring plan

1. With switch



2. Without switch



3. With 2 Way switches

